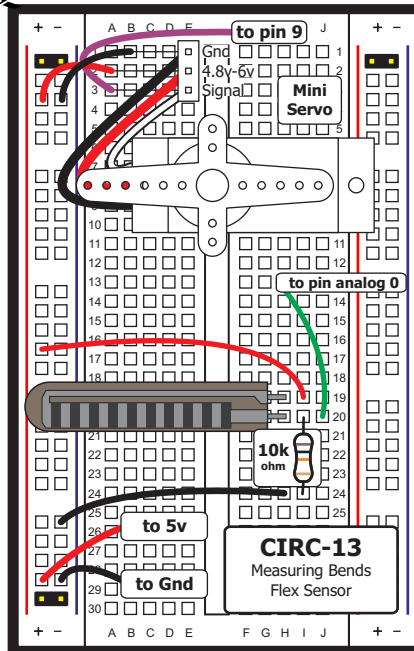


# CIRC-13 Measuring Bends (Flex Sensor)



<http://ardx.org/CIRC13>



Note: Breadboard dimensions vary between manufacturers so some adjustments may be necessary.